

CABINET SERIES: MANUFACTURER "SERIES"  
 DOOR: STYLE DRWR FRONT: STYLE  
 WOOD SPECIES: SPECIES  
 COLOR: COLOR  
 CABINET BOX: STYLE

- Showroom -  
 SCALE: 1/2" = 1'-0"

REVISED 08.15.14

# Bridger Kitchens

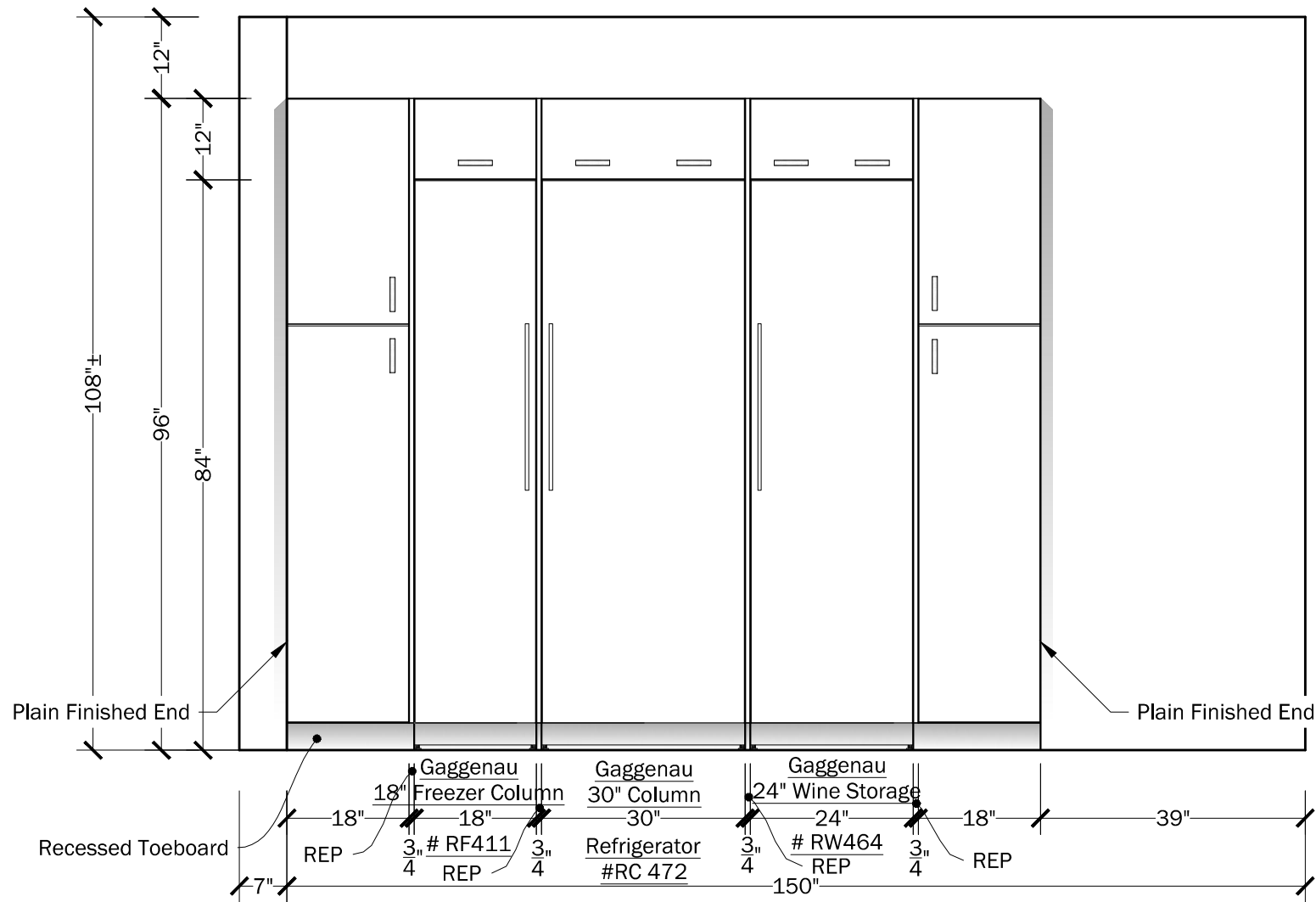
Showroom



PAGE 1 OF 5  
 APPROVED X  
 DESIGNER Shannon Lundgren  
 DATE 06-24-14  
 DRAWN BY Laura Parker

1

ALL DESIGN IDEAS INDICATED OR REPRESENTED BY THIS DRAWING ARE OWNED BY AND THE PROPERTY OF THIS OFFICE AND CANNOT BE COPIED, REPRODUCED OR ASSIGNED FOR ANY PURPOSE WHATSOEVER WITHOUT WRITTEN CONSENT. ALL WRITTEN AND UNWRITTEN INFORMATION AND DESIGN INFORMATION IS THE PROPERTY OF BRIDGER KITCHENS. BRIDGER KITCHENS SHALL BE RESPONSIBLE FOR ALL DIMENSIONS AND ADJUSTMENT TO FIT JOB CONDITIONS. THESE PLANS ARE STRICTLY FOR DESIGN PURPOSES. DESIGN PLANS AND ARE NOT PROVIDED FOR ARCHITECTURAL OR ENGINEERING USE.



A KITCHEN ELEVATION

- Showroom -

SCALE: 1/2" = 1'-0"

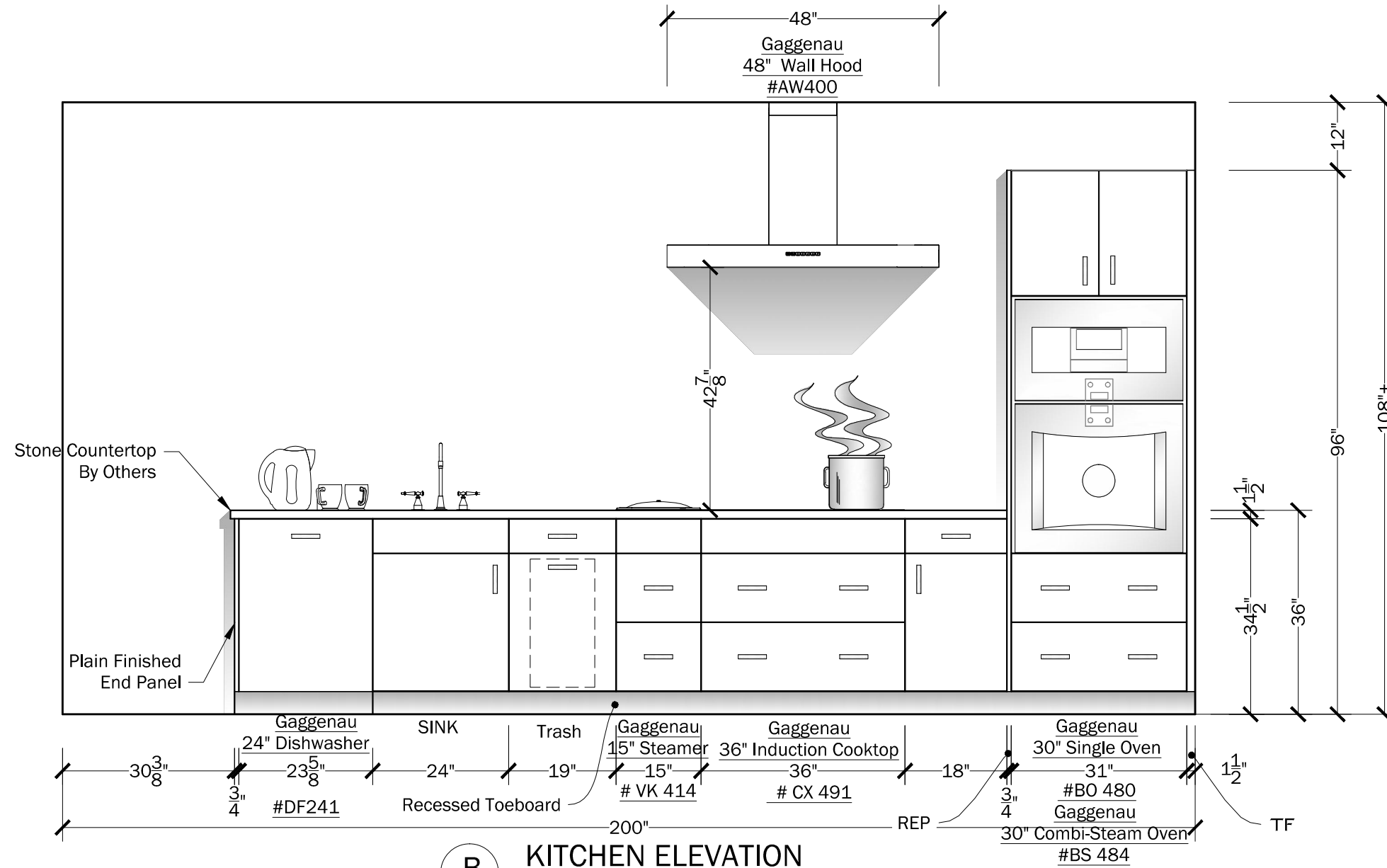
PAGE 2 OF 5  
 X APPROVED \_\_\_\_\_  
 DESIGNER Shannon Lundgren  
 DATE 06-24-14  
 DRAWN BY Laura Parker



Bridger Kitchens  
 Showroom

REVISED 08.15.14

ALL DESIGN IDEAS INDICATED OR REPRESENTED BY THIS DRAWING ARE OWNED BY AND THE PROPERTY OF THIS OFFICE AND CANNOT BE COPIED, REPRODUCED OR ASSIGNED FOR ANY PURPOSE WHATSOEVER WITHOUT WRITTEN CONSENT. ALL WRITTEN AND/ORAL COMMENTS AND REVISIONS SHALL BE MADE IN WRITING AND CONTRACTORS SHALL BE RESPONSIBLE FOR ALL DIMENSIONS AND ADJUSTMENT TO FIT JOB CONDITIONS. THESE PLANS ARE STRICTLY FOR DESIGN PURPOSES, DESIGN PLANS AND ARE NOT PROVIDED FOR ARCHITECTURAL OR ENGINEERING USE.



**B** KITCHEN ELEVATION

- Showroom -

SCALE: 1/2" = 1'-0"

PAGE 3 OF 5

APPROVED X

DESIGNER Shannon Lundgren

DATE 06-24-14

DRAWN BY Laura Parker

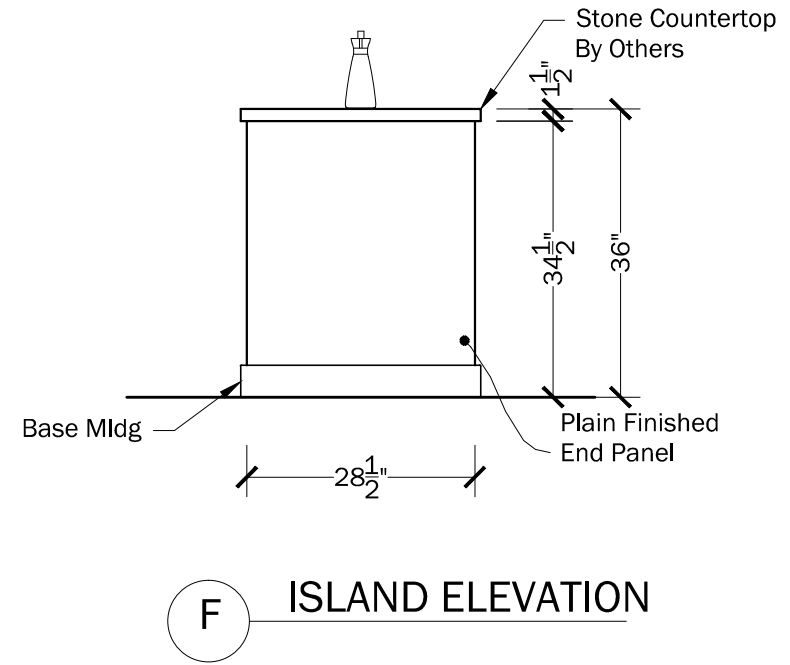
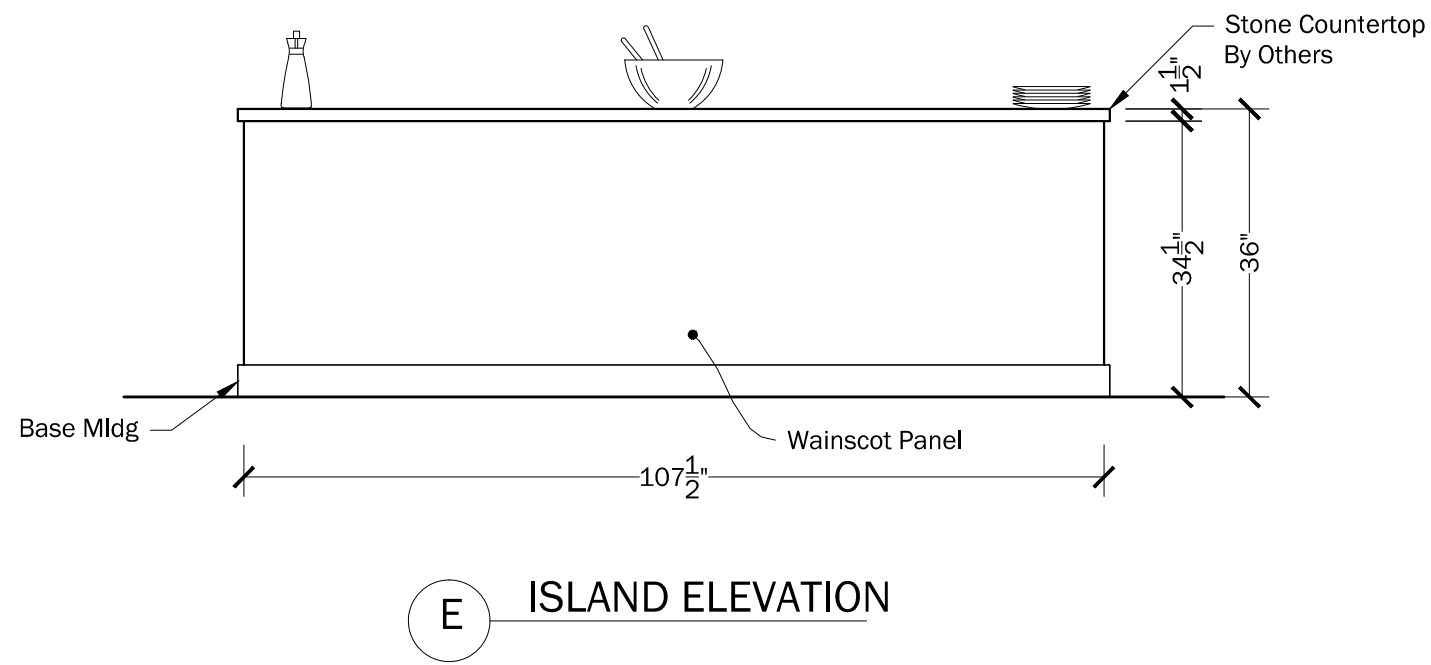
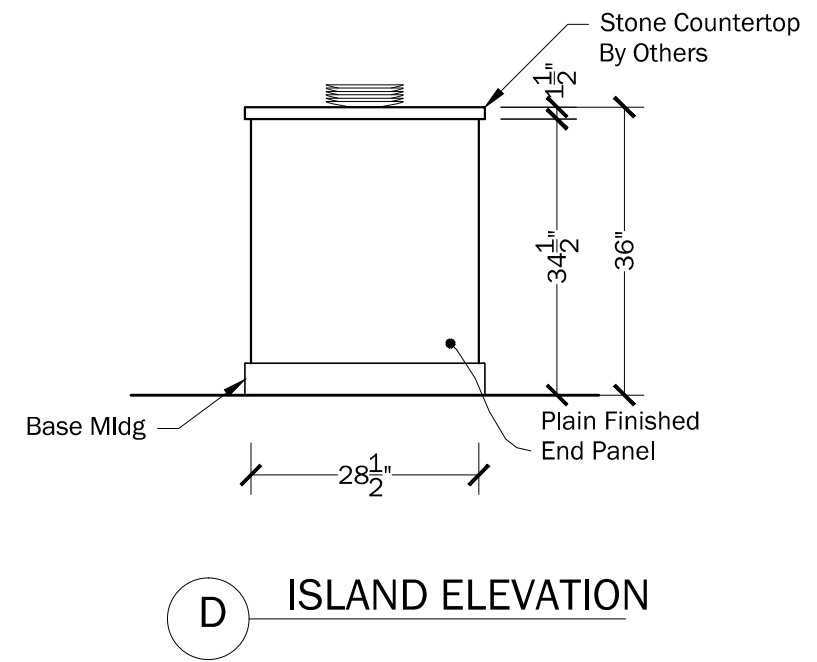
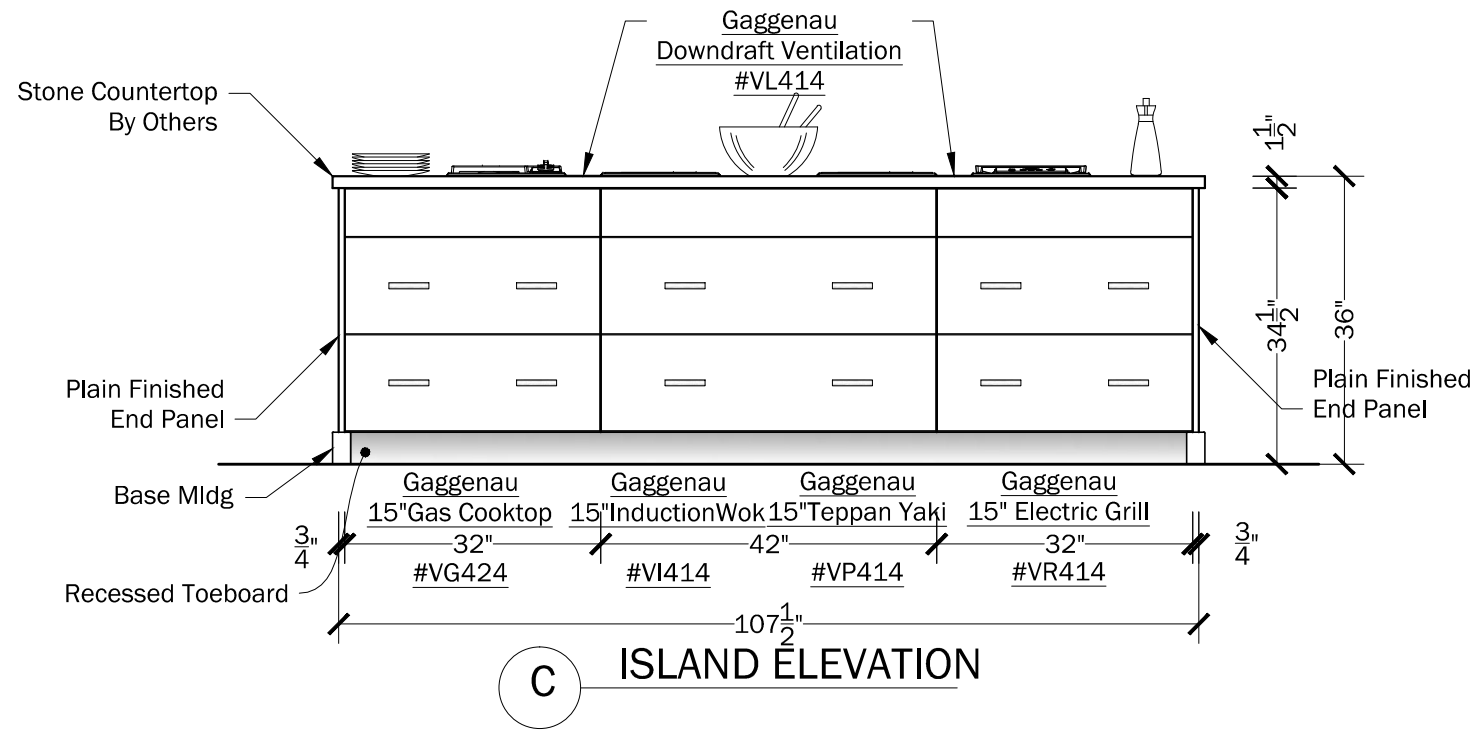


7540 Pioneer Way • Bozeman, MT 59718 •  
406-582-1001 •  
www.bridgerkitchens.com •

Bridger Kitchens  
Showroom

REVISED 08.15.14

ALL DESIGN IDEAS INDICATED OR REPRESENTED BY THIS DRAWING ARE OWNED BY AND THE PROPERTY OF THIS OFFICE AND CANNOT BE COPIED, REPRODUCED OR ASSIGNED FOR ANY PURPOSE WHATSOEVER WITHOUT WRITTEN CONSENT. ALL WRITTEN MATERIALS AND SPECIFICATIONS ARE THE PROPERTY OF BRIDGER KITCHENS. CONTRACTORS SHALL VERIFY ALL DIMENSIONS AND ADJUSTMENTS TO FIT JOB CONDITIONS. THESE PLANS ARE STRICTLY FOR DESIGN PURPOSES. DESIGN PLANS AND ARE NOT PROVIDED FOR ARCHITECTURAL OR ENGINEERING USE.



- Showroom -

SCALE: 1/2" = 1'-0"

REVISED 08.15.14

**Bridger Kitchens**  
Showroom

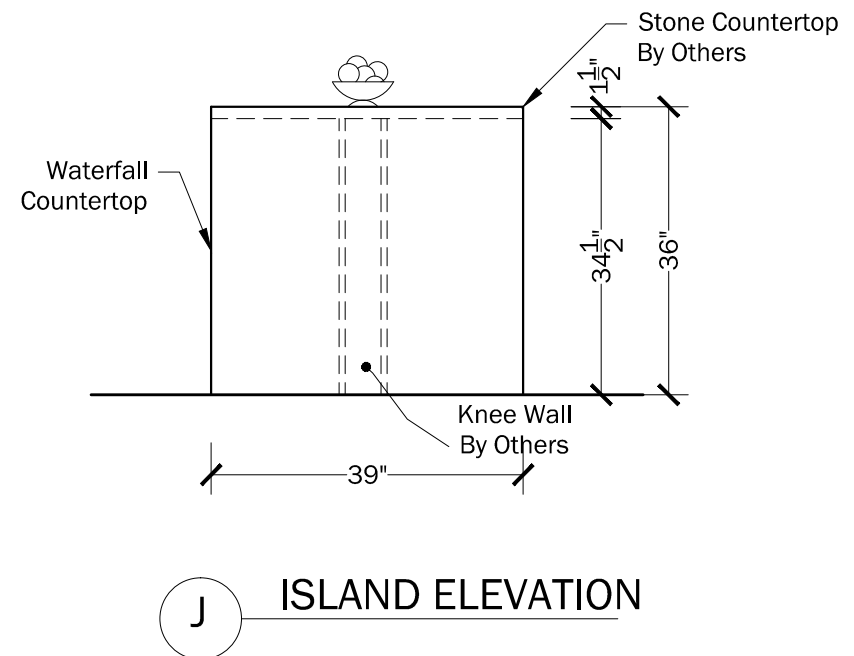
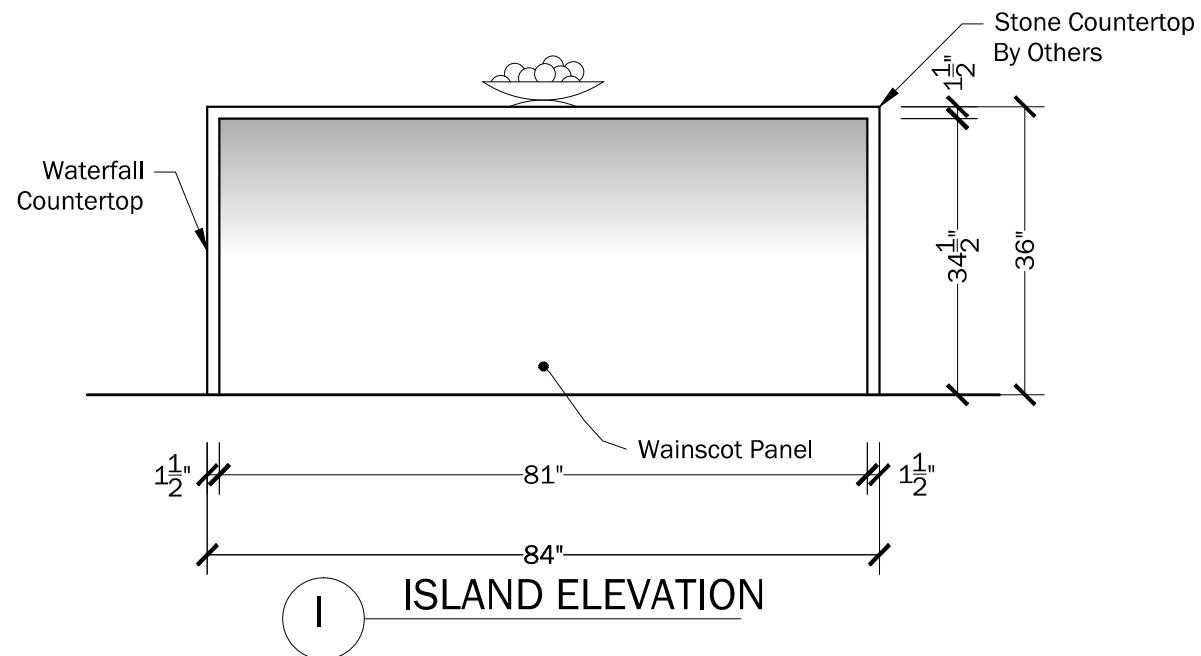
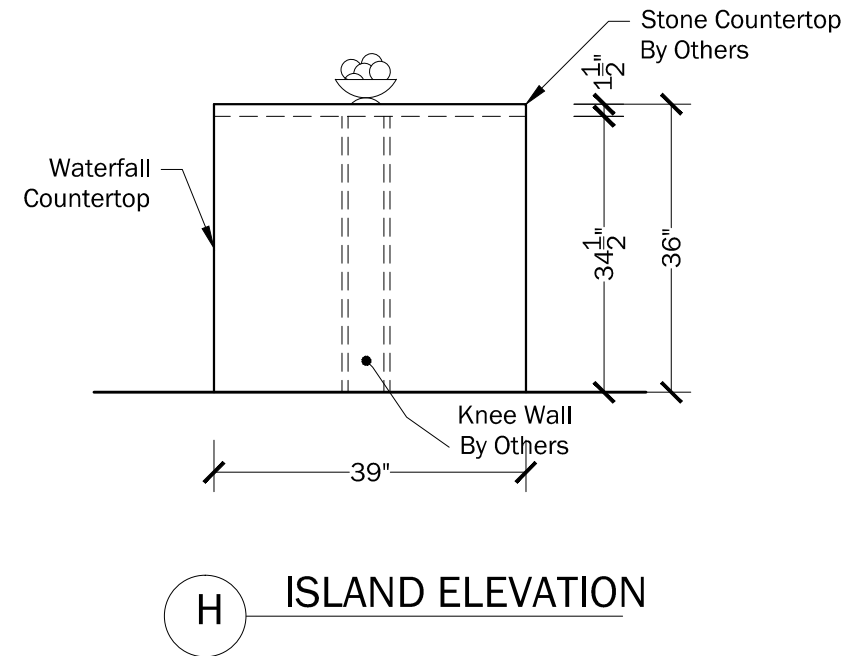
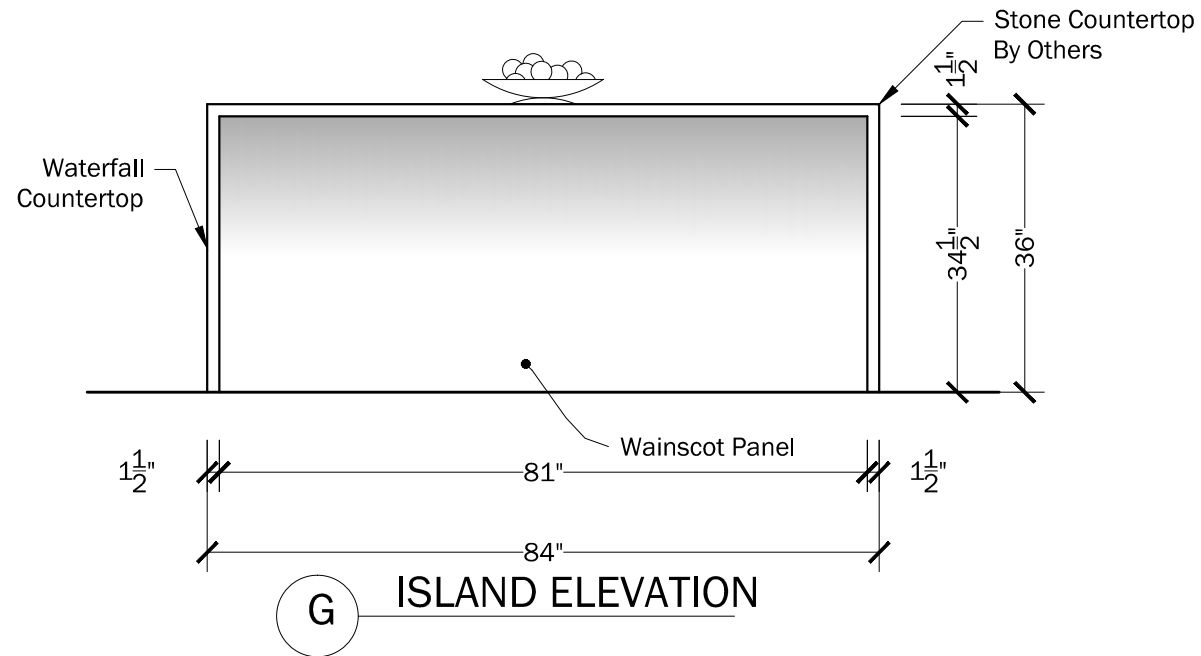


7540 Pioneer Way • Bozeman, MT 59718 •  
406-582-1001 •  
www.bridgerkitchens.com •

PAGE 4 OF 5  
X APPROVED

DESIGNER Shannon Lundgren  
DATE 06-24-14  
DRAWN BY Laura Parker

ALL DESIGN IDEAS INDICATED OR REPRESENTED BY THIS DRAWING ARE OWNED BY AND THE PROPERTY OF THIS OFFICE AND CANNOT BE COPIED, REPRODUCED OR ASSIGNED FOR ANY PURPOSE WHATSOEVER WITHOUT WRITTEN CONSENT. ALL WRITTEN AGREEMENTS SHALL BE SUBJECT TO THE TERMS AND CONDITIONS OF THE CONTRACT. CONTRACTORS SHALL VERIFY ALL DIMENSIONS AND ADJUSTMENTS TO FIT JOB CONDITIONS. THESE PLANS ARE STRICTLY FOR DESIGN PURPOSES. DESIGN PLANS AND ARE NOT PROVIDED FOR ARCHITECTURAL OR ENGINEERING USE.



- Showroom -

SCALE: 1/2" = 1'-0"

REVISED 08.15.14

**Bridger Kitchens**  
Showroom



• 7540 Pioneer Way • Bozeman, MT 59718 •  
• 406-582-1001 •  
• www.bridgerkitchens.com •

PAGE 5 OF 5  
APPROVED \_\_\_\_\_  
DESIGNER Shannon Lundgren  
DATE 06-24-14  
DRAWN BY Laura Parker

ALL DESIGN IDEAS INDICATED OR REPRESENTED BY THIS DRAWING ARE OWNED BY AND THE PROPERTY OF THIS OFFICE AND CANNOT BE COPIED, REPRODUCED OR ASSIGNED FOR ANY PURPOSE WHATSOEVER WITHOUT WRITTEN CONSENT. ALL WRITTEN AGREEMENTS, CONTRACTS, SPECIFICATIONS, AND CONDITIONS SHALL BE THE RESPONSIBILITY OF THE CLIENT. CONTRACTORS SHALL VERIFY ALL DIMENSIONS AND ADJUSTMENT TO FIT JOB CONDITIONS. THESE PLANS ARE STRICTLY FOR DESIGN PURPOSES. DESIGN PLANS AND ARE NOT PROVIDED FOR ARCHITECTURAL OR ENGINEERING USE.